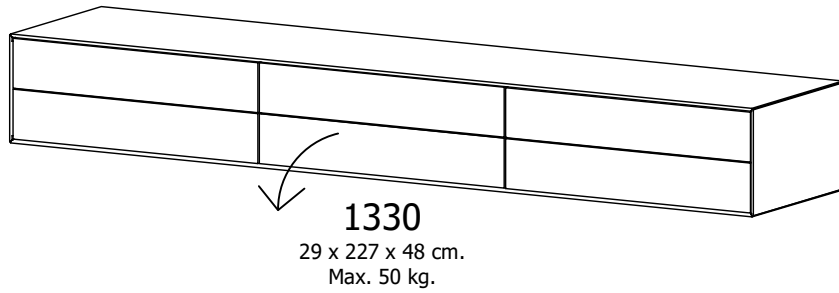


Fermo

Design by BoConcept

Samvejledning - Assembly Instructions - Montageanleitung - Instructions d'assemblage - Instrucciones de montaje

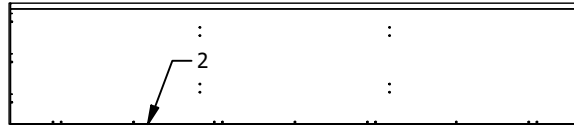


Col 1331.

006737

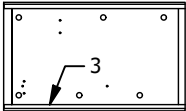


006738

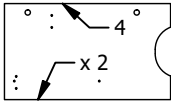


Col 1333. Fittingbox. 930001171 and 930001177

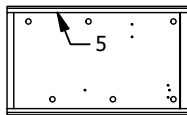
006739



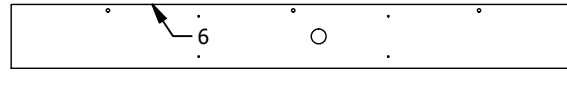
006736



006735



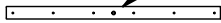
006740



006742



005195



970002000



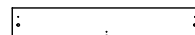
006708



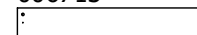
006709



006712



006713



006710



Fittingbox 930001177



A x 15
970001723



B x 28
970002008



C x 23
970002004



D x 16
970001383



J x 23
970001997



K x 1
970002015



R x 2
970001688



S x 1
970000842



T x 6
970000818



U x 4
970001204



V x 4
970002005



W x 1
970002013



Y x 1
970002014



BB x 4
970001719
3,5x20 mm



CC x 1
970001939



DD x 1
970001726



EE x 2
970001990
3,5 x 10



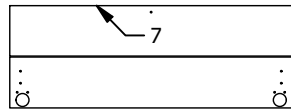
FF x 4
970001718
3,5 x 15 mm



GG x 4
970001680
4,2 x 9,5

Col. 1232 Fittingbox. 930001171 and 930001176

006741



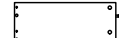
970002000



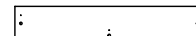
006708



006709



006712



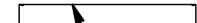
006710



006713



006742



Fittingbox 930001176



U x 4
970001204



V x 4
970002005



W x 1
970002013



Y x 1
970002014



BB x 4
970001719
3,5x20 mm



CC x 1
970001939



DD x 1
970001726



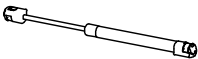
EE x 2
970001990
3,5 x 10



FF x 4
970001718
3,5 x 15 mm



GG x 4
970001680
4,2 x 9,5



HH x 2
970001328



JJ x 2
970001327



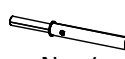
KK x 2
970001044



M x 2
970001717
3,0 x 15



L x 1
970000760



N x 1
970001621



P x 1
970001622



Q x 1
970001623



H x 8
970001095
3,5 x 15 mm
Stainless steel



C x 4
970002004



J x 4
970001997



E x 1
970001624



F x 1
970001625

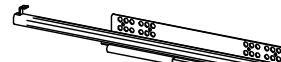


G x 2
970001325

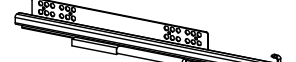


AA x 4
970001419
6,2 x 13

Fitting box 930001171 x 2



Z x 1
970002012



NN x 1
970002011

FIG. 1



B x 28



C x 19



J x 19



K x 1

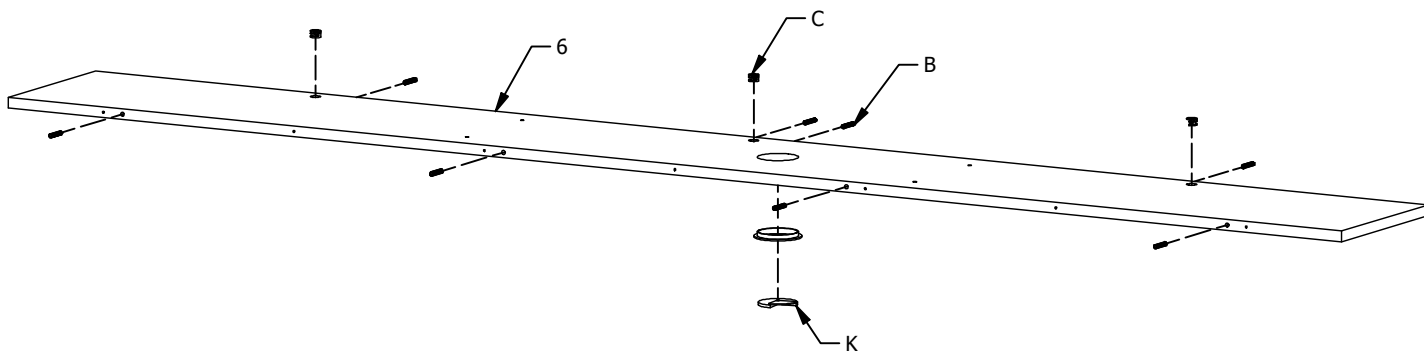
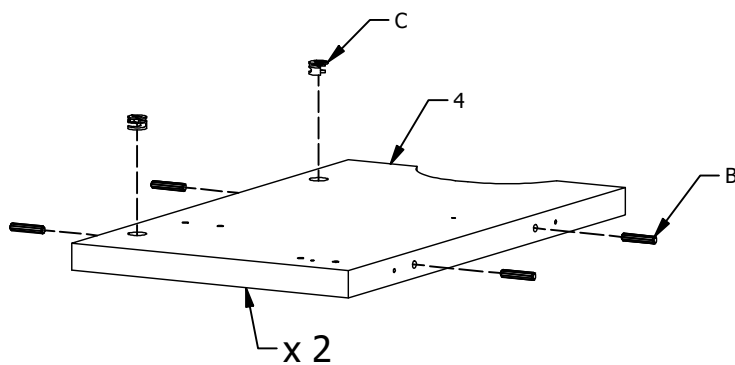
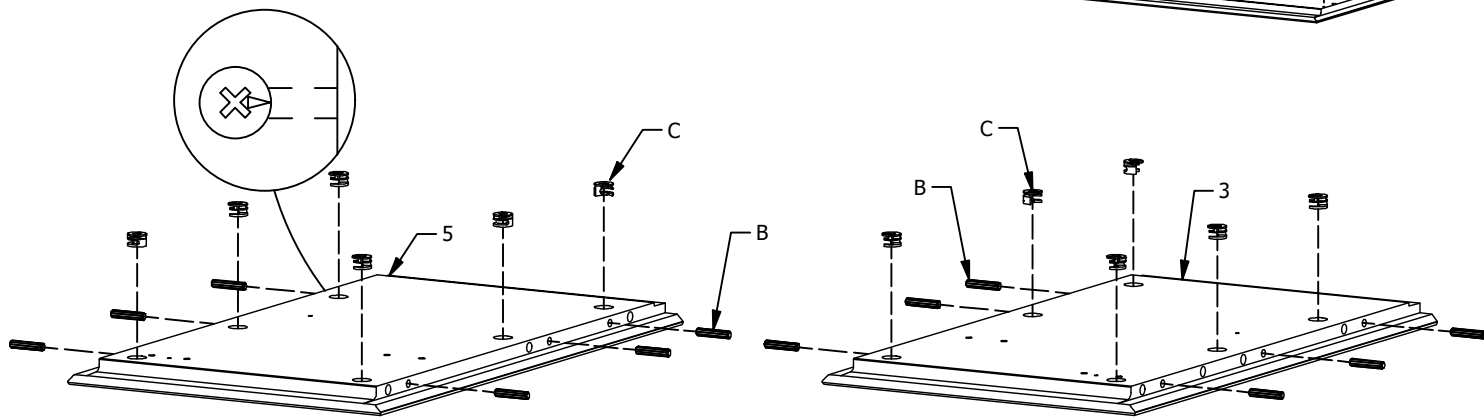
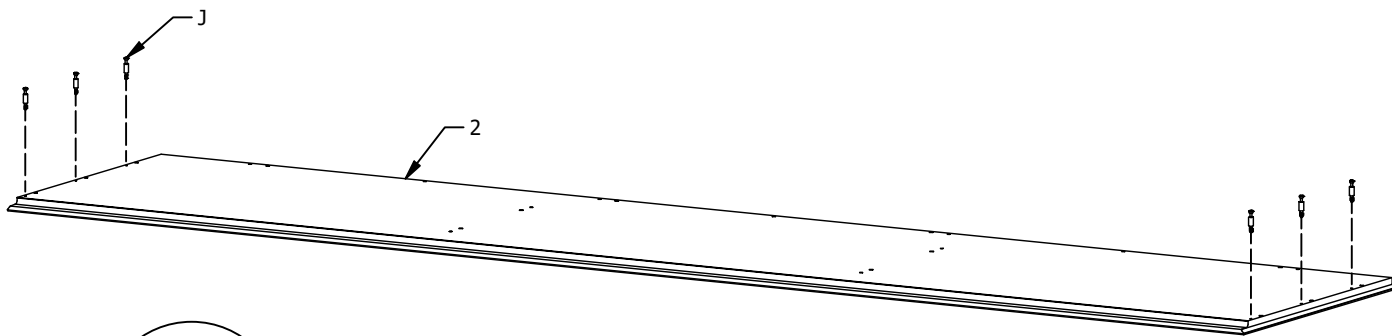
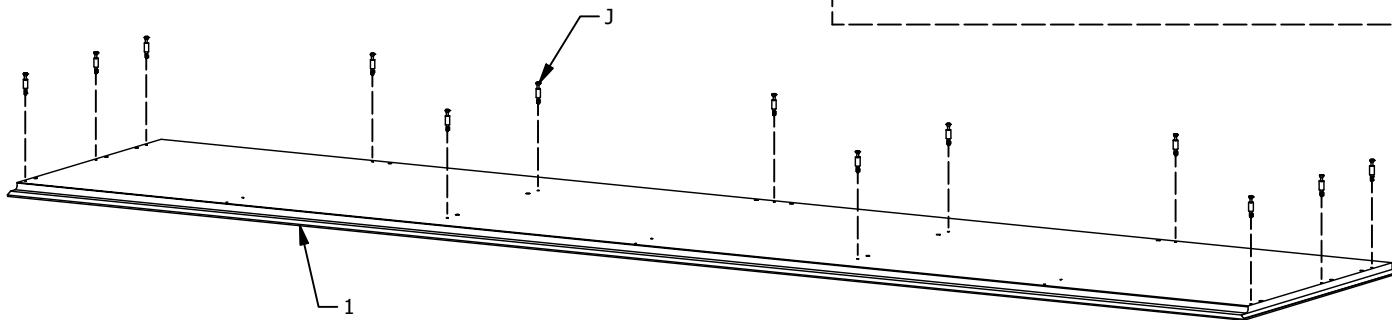


FIG. 2

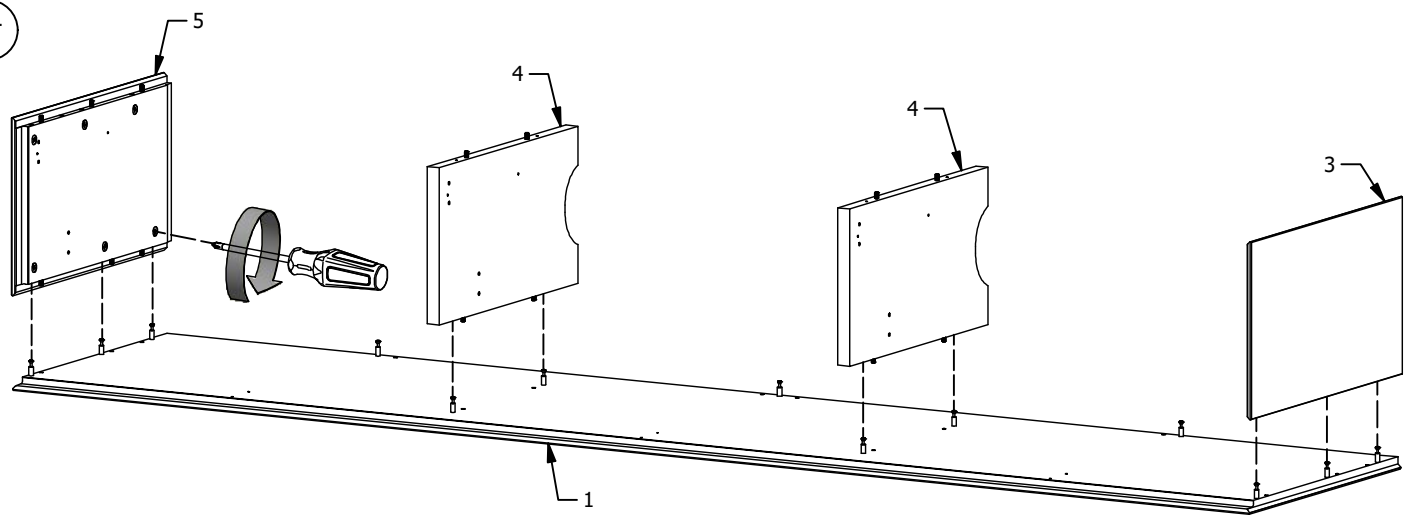


FIG. 3

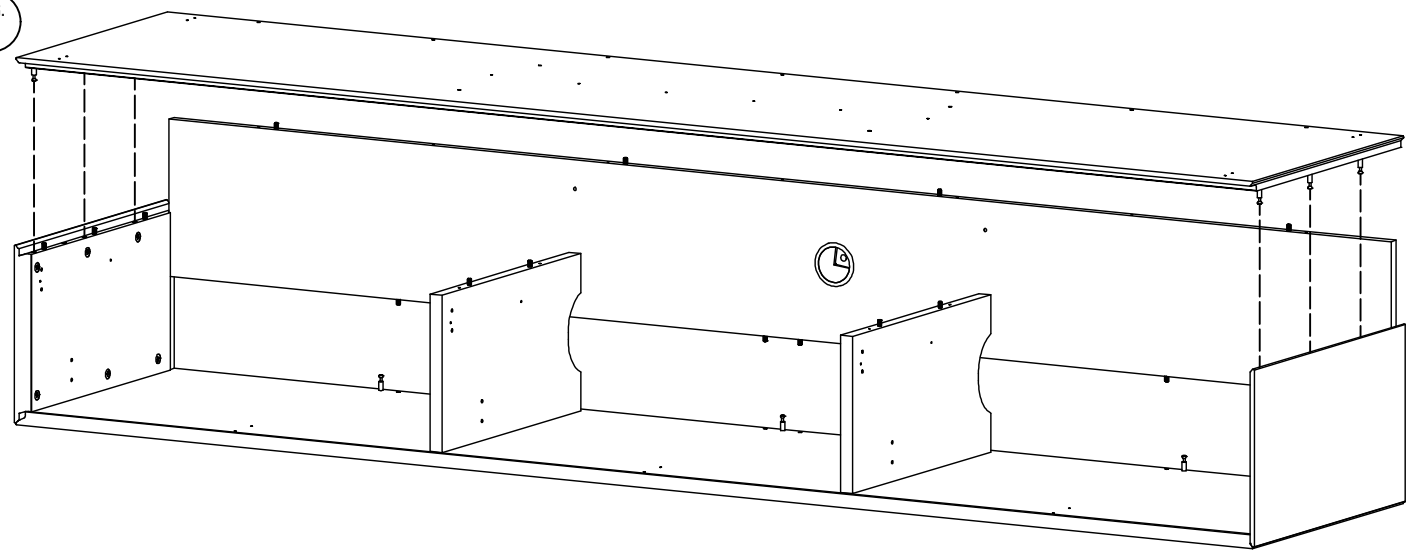


FIG. 4

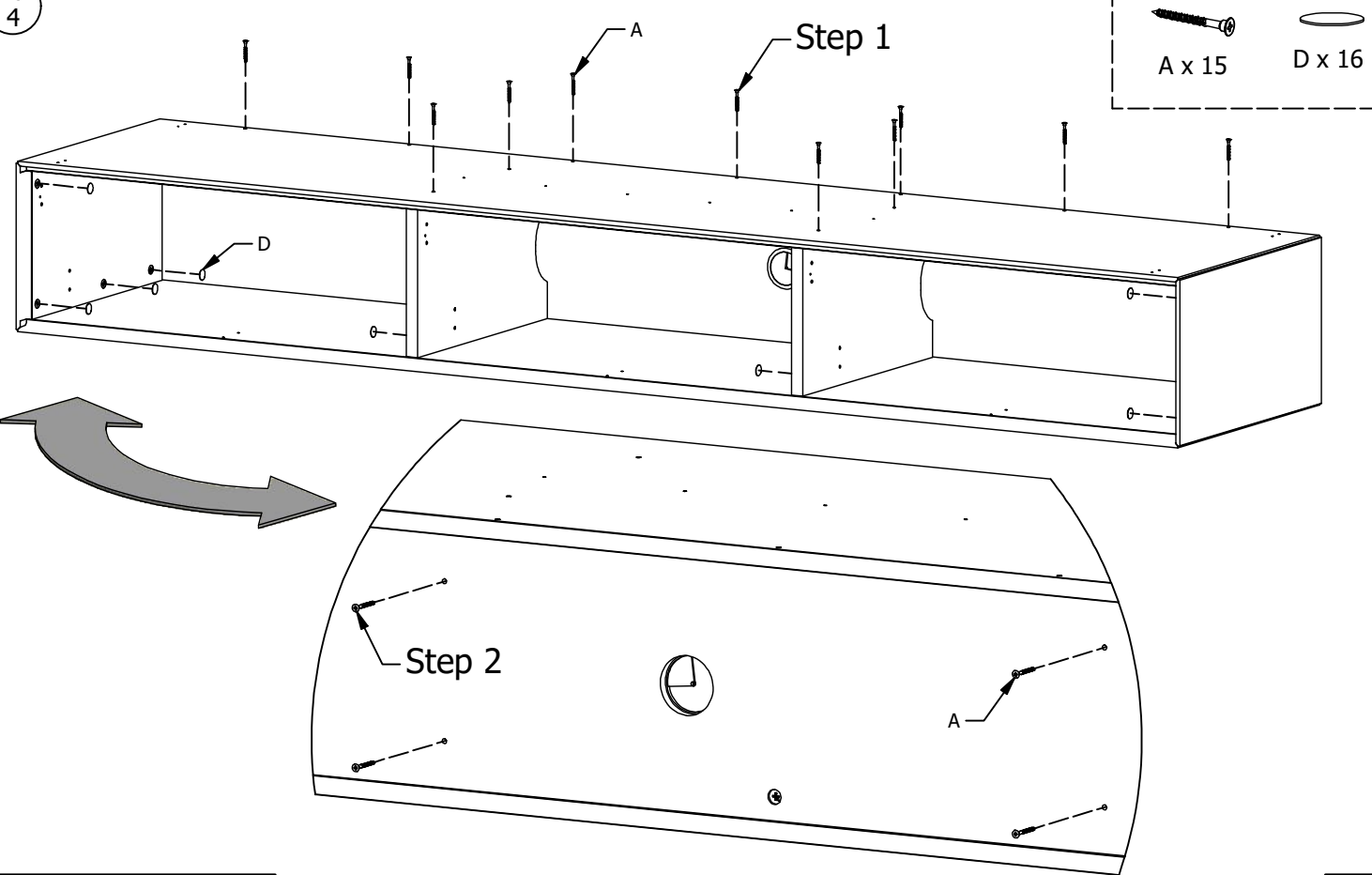
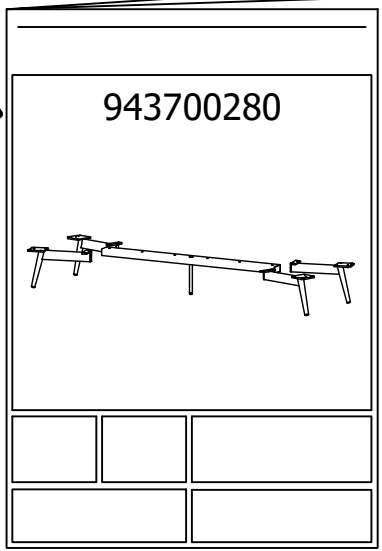
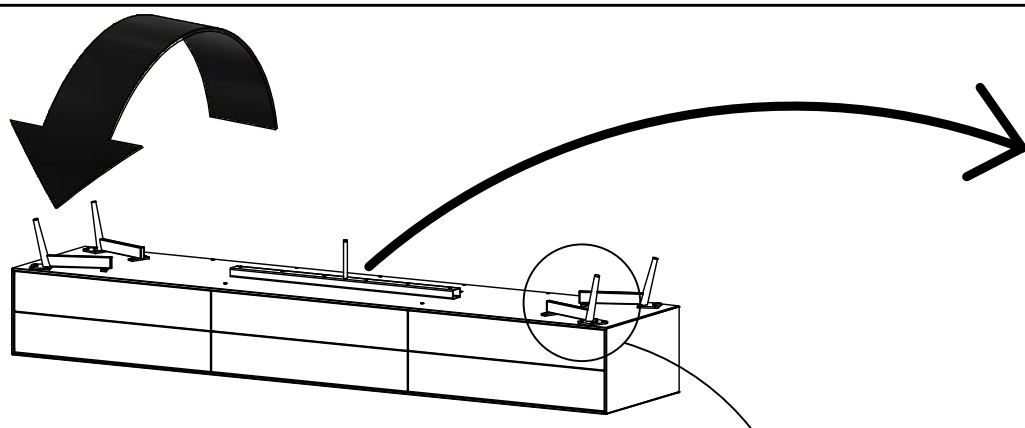


FIG. 5



Important to Fermo leg

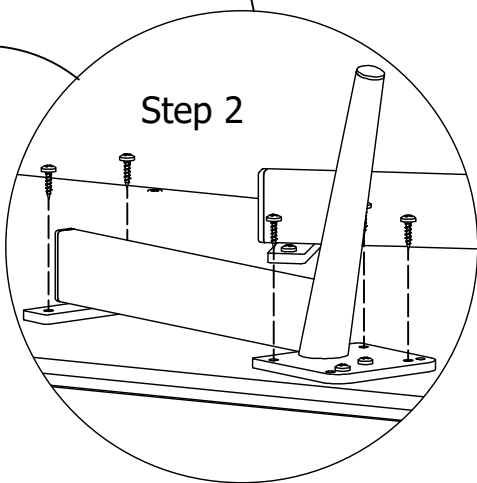
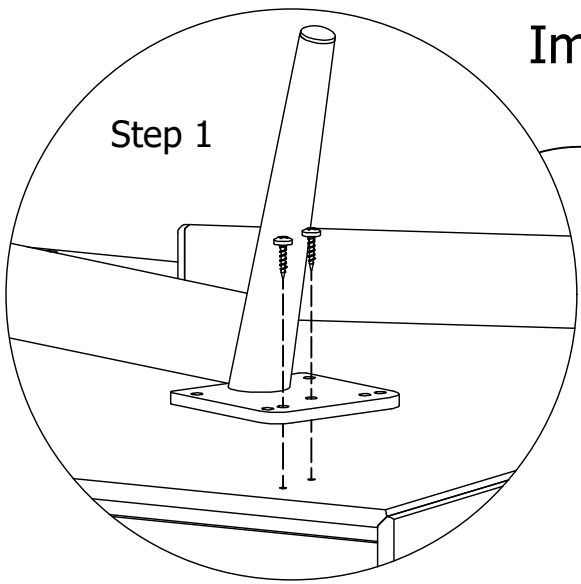
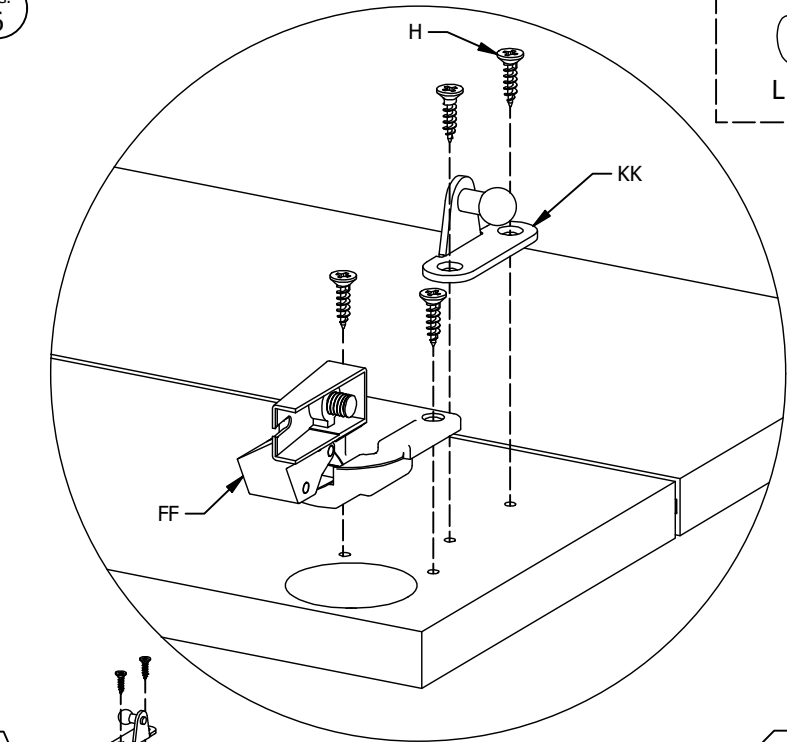







FIG. 6



- 
L x 1
- 
KK x 2
- 
E x 1
- 
F x 1
- 
H x 8

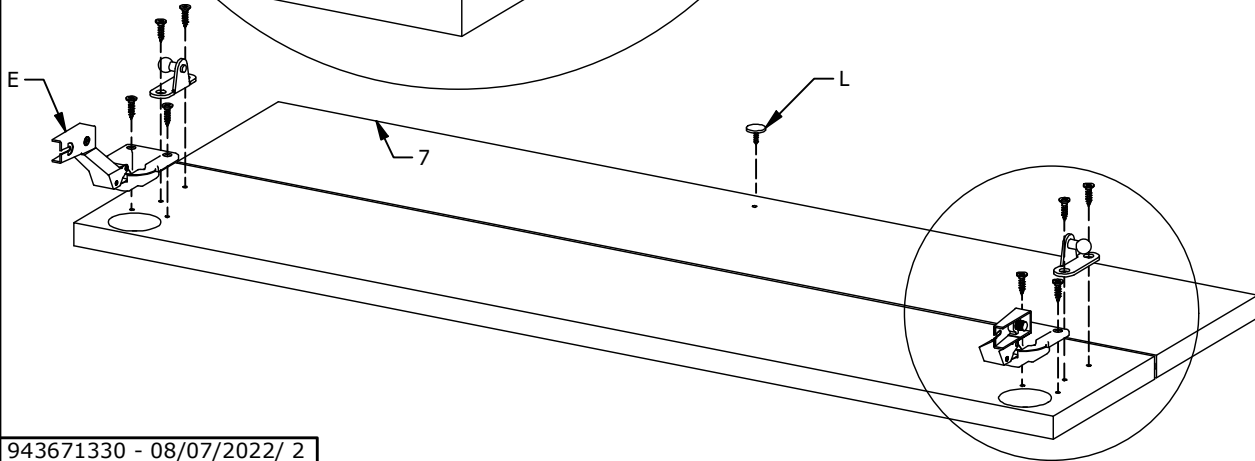


FIG. 7



AA x 4
970001419
6,2 x 13



M x 2
970001717
3,0 x 15



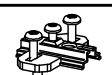
JJ x 2
970001327



P x 1
970001622



Q x 1
970001623



G x 2
970001325



N x 1
970001621

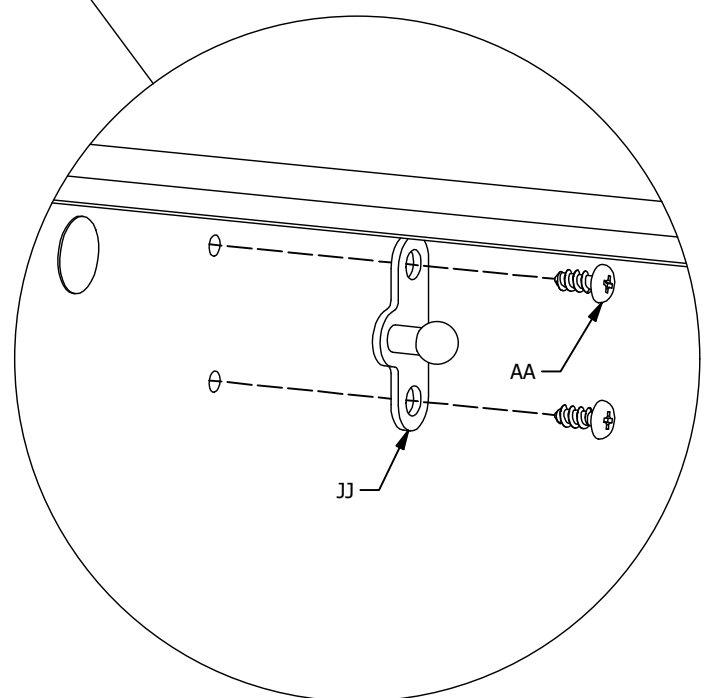
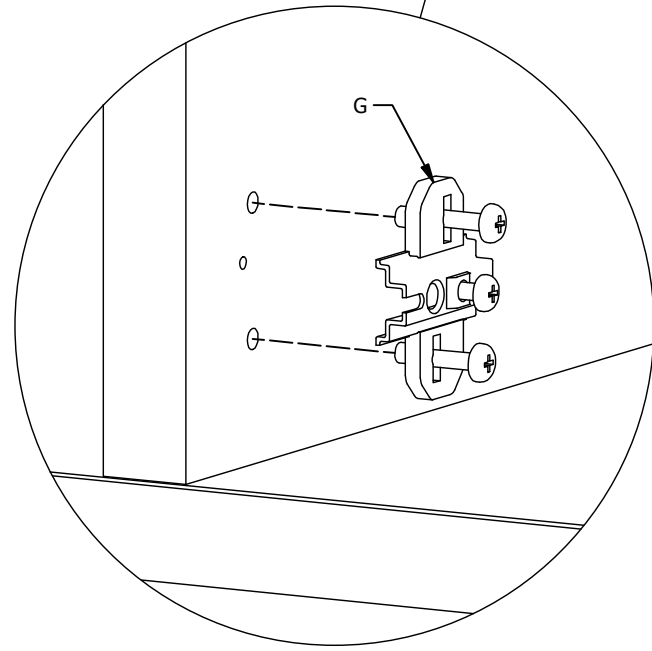
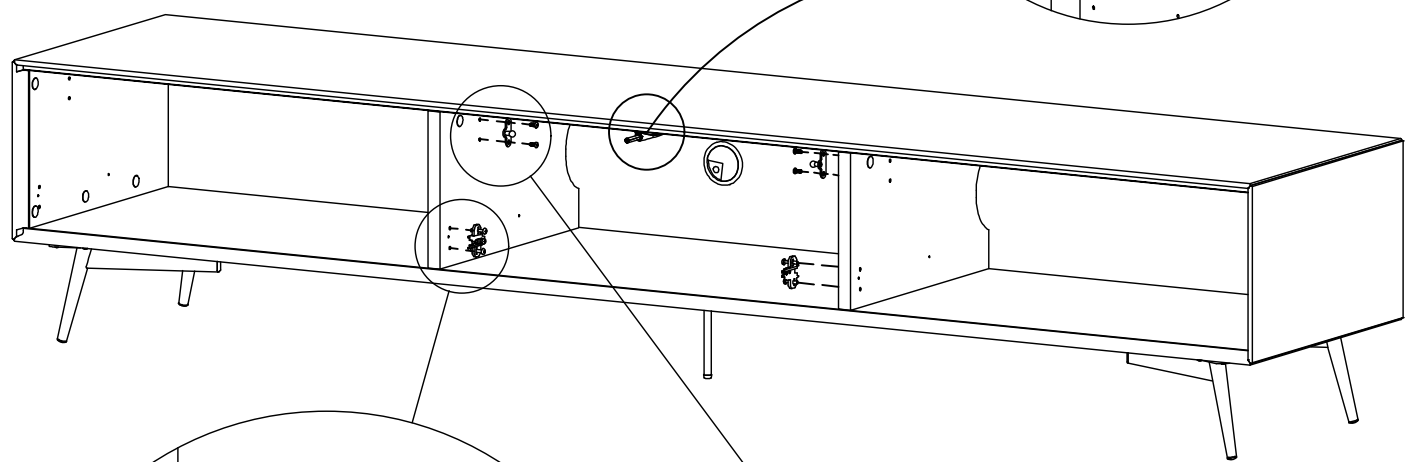
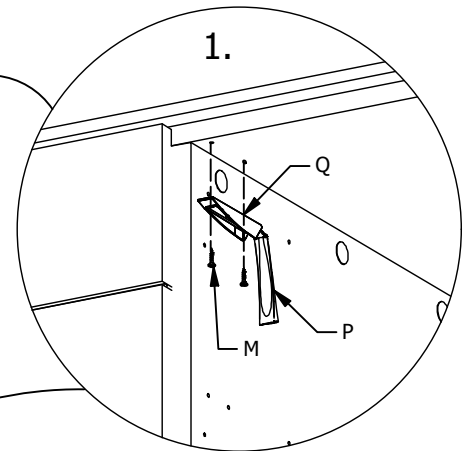
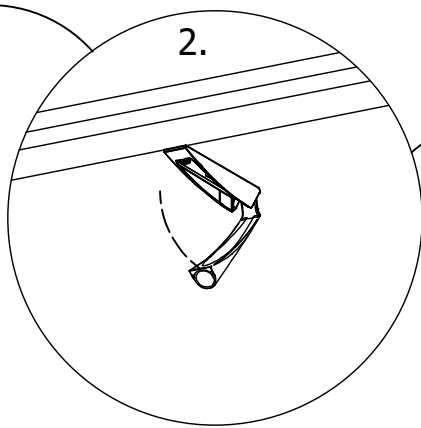
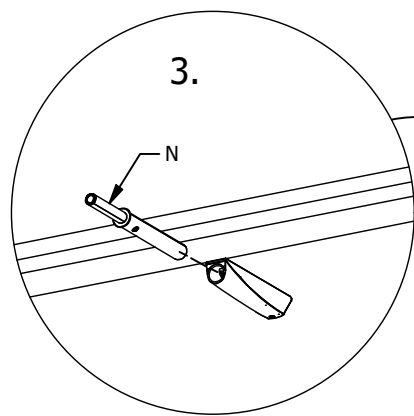


FIG. 8

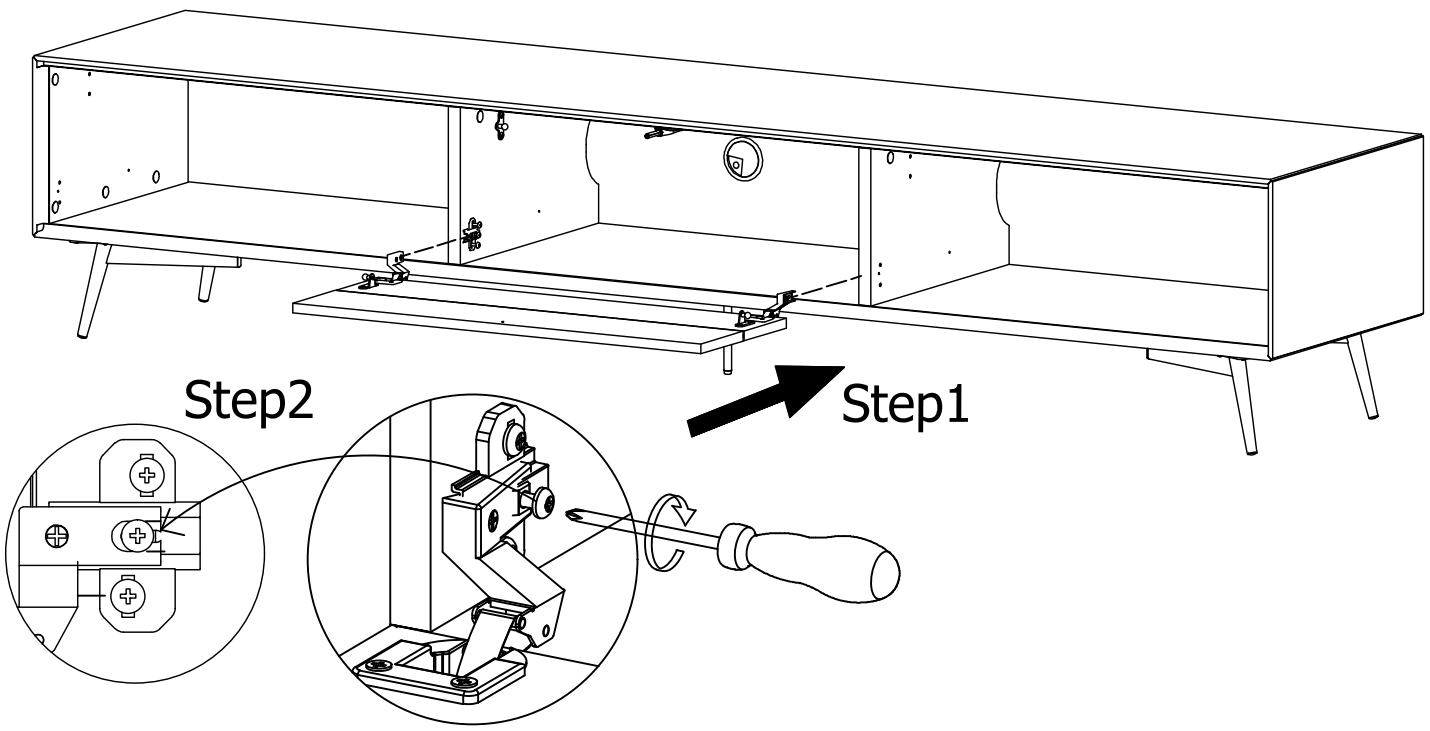


FIG. 9

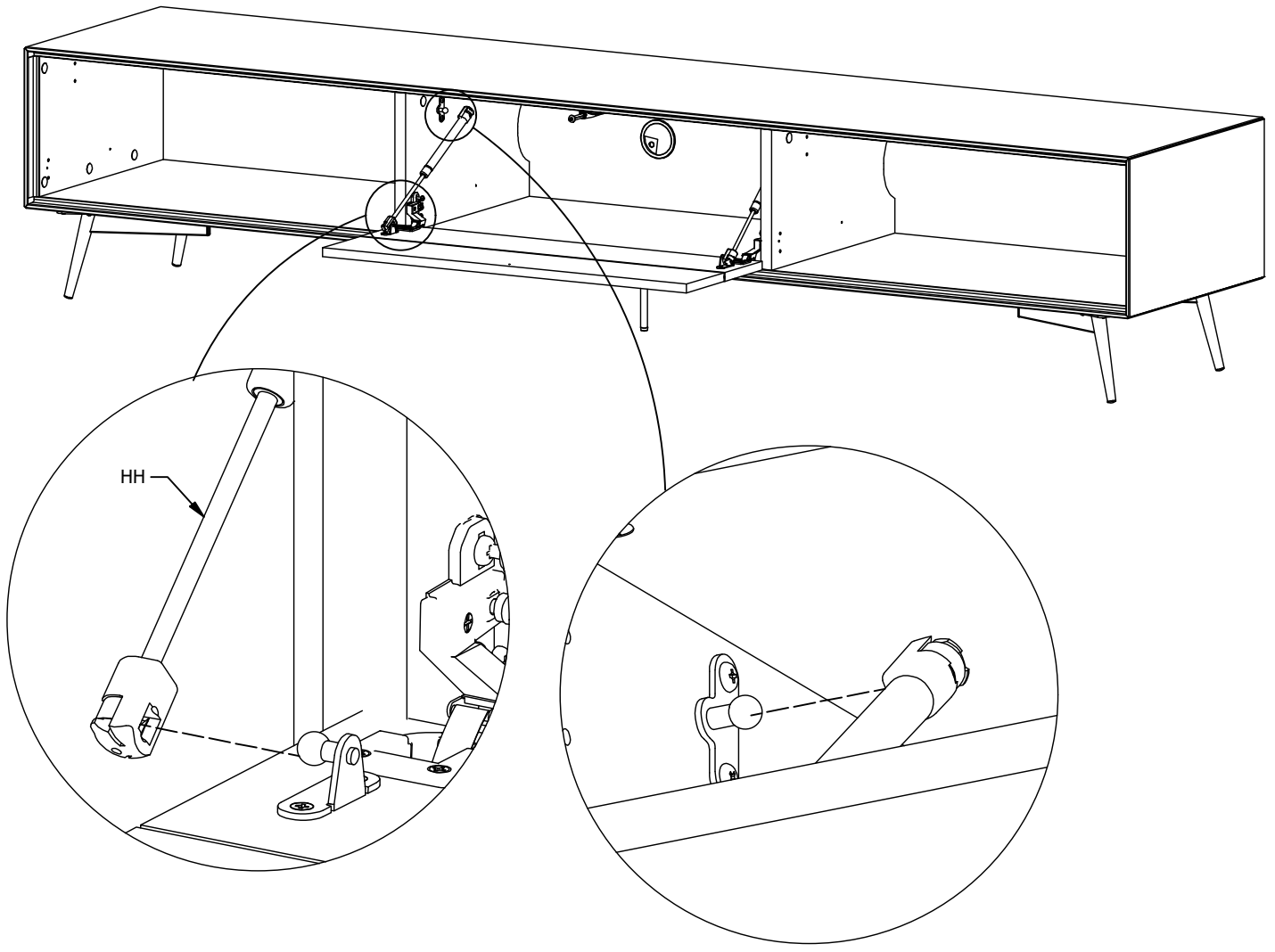
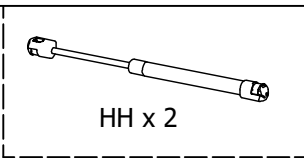


FIG. 10

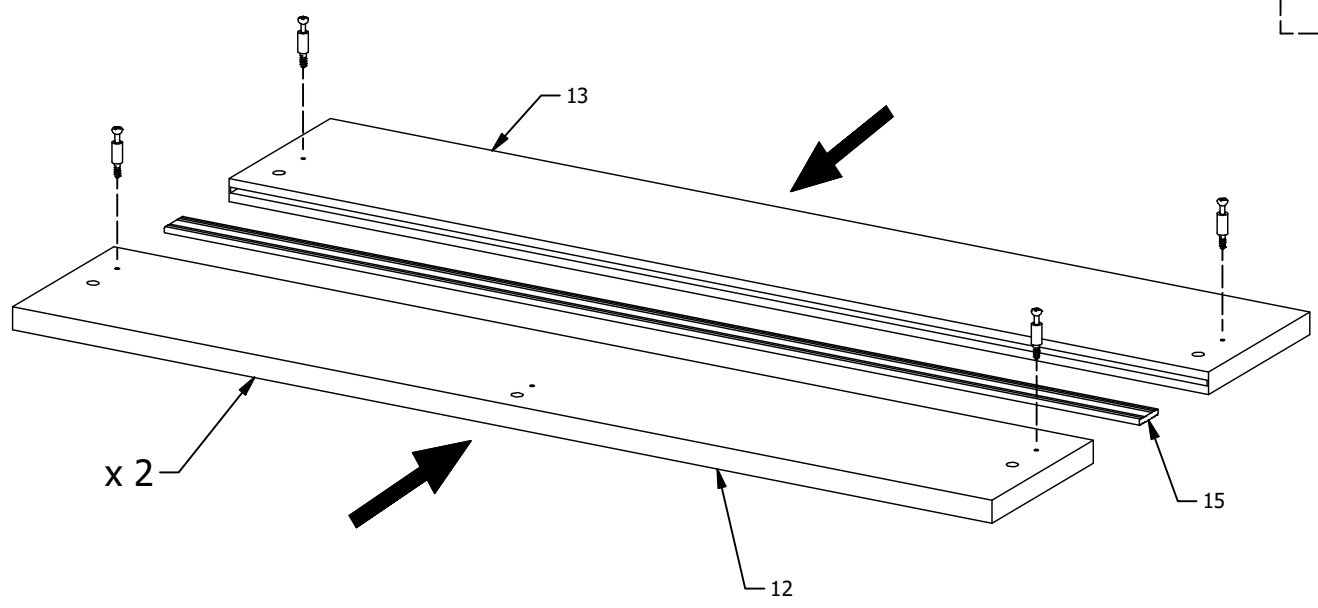
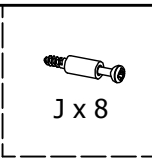


FIG. 11

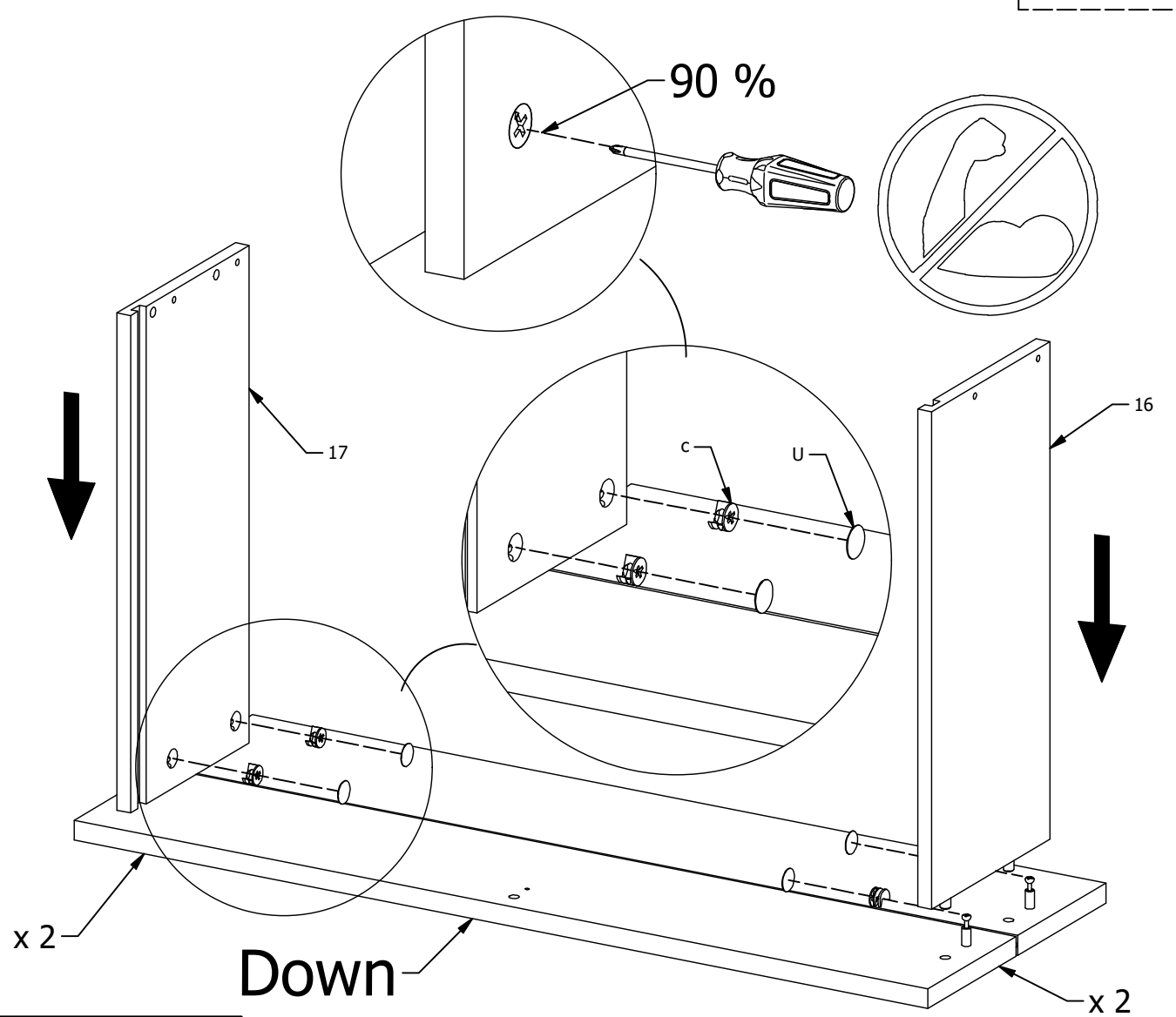
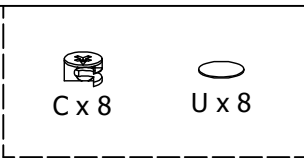


FIG. 12

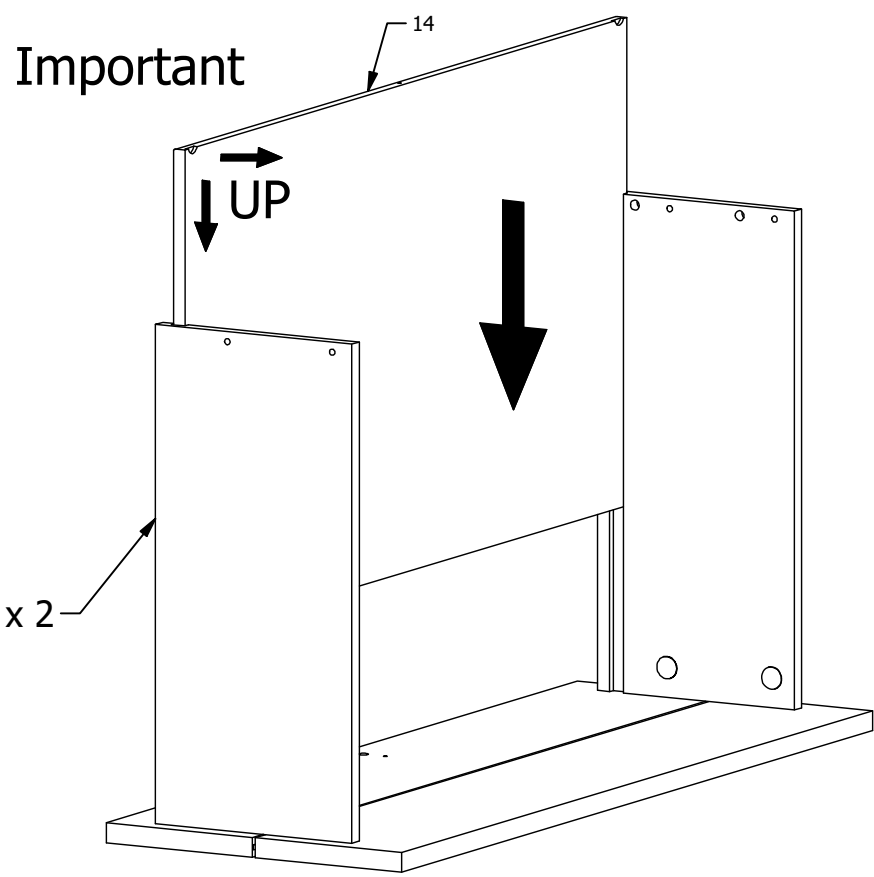


FIG. 13

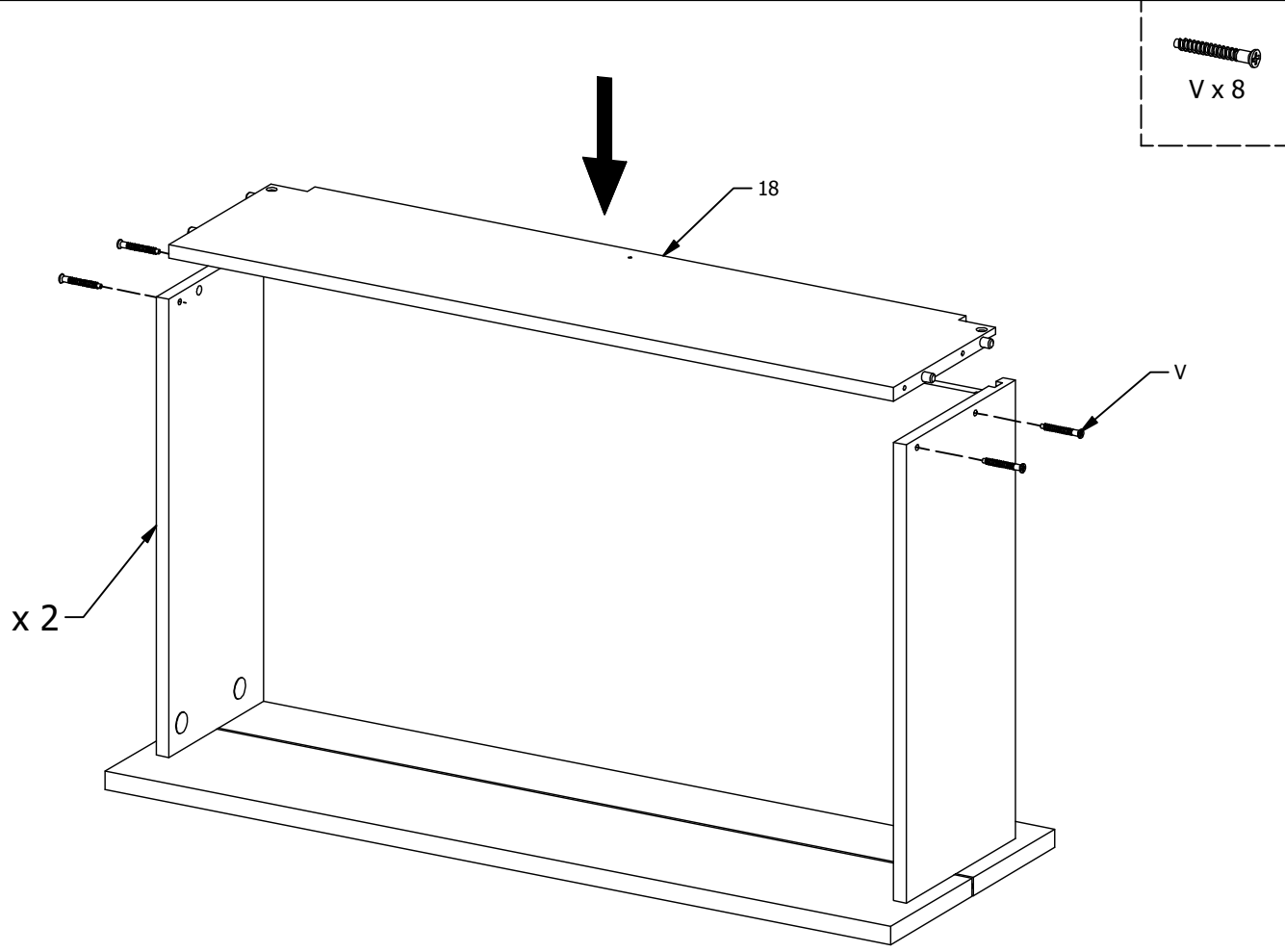
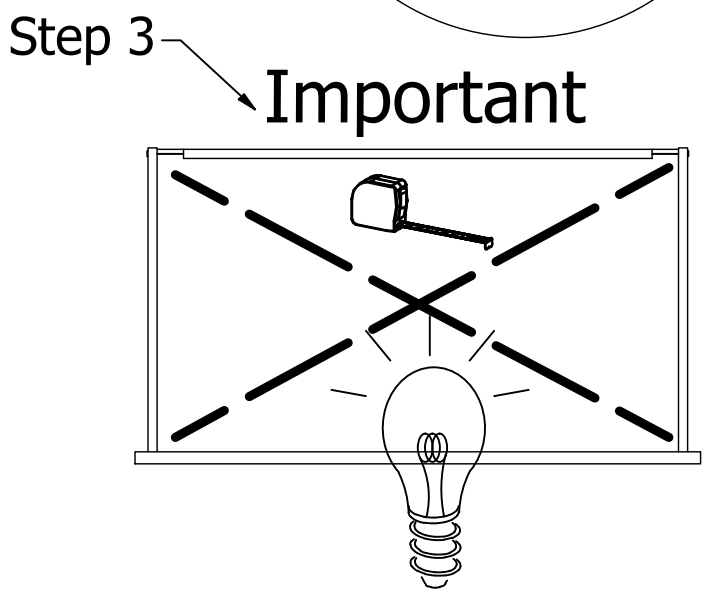
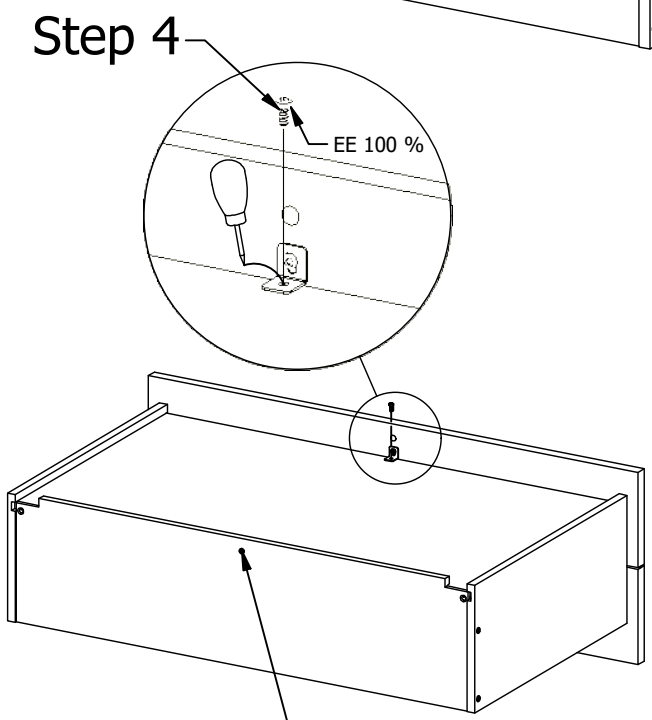
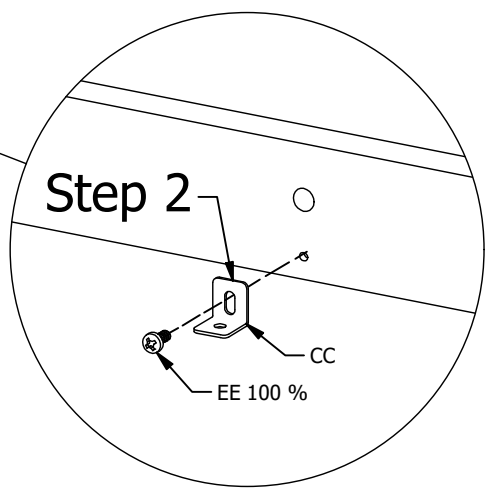
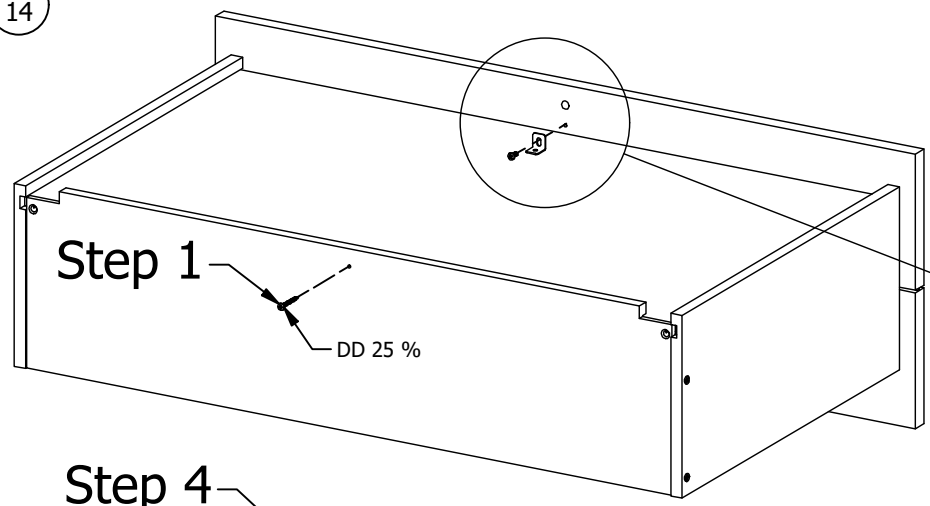


FIG. 14

- CC x 2
- DD x 2
- EE x 4



Step 5 100 %

- w x 2
- Y x 2
- BB x 8

FIG. 15

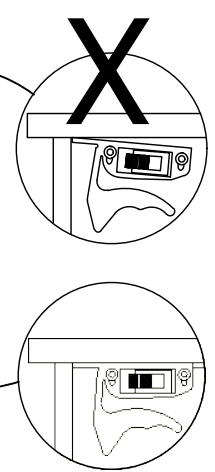
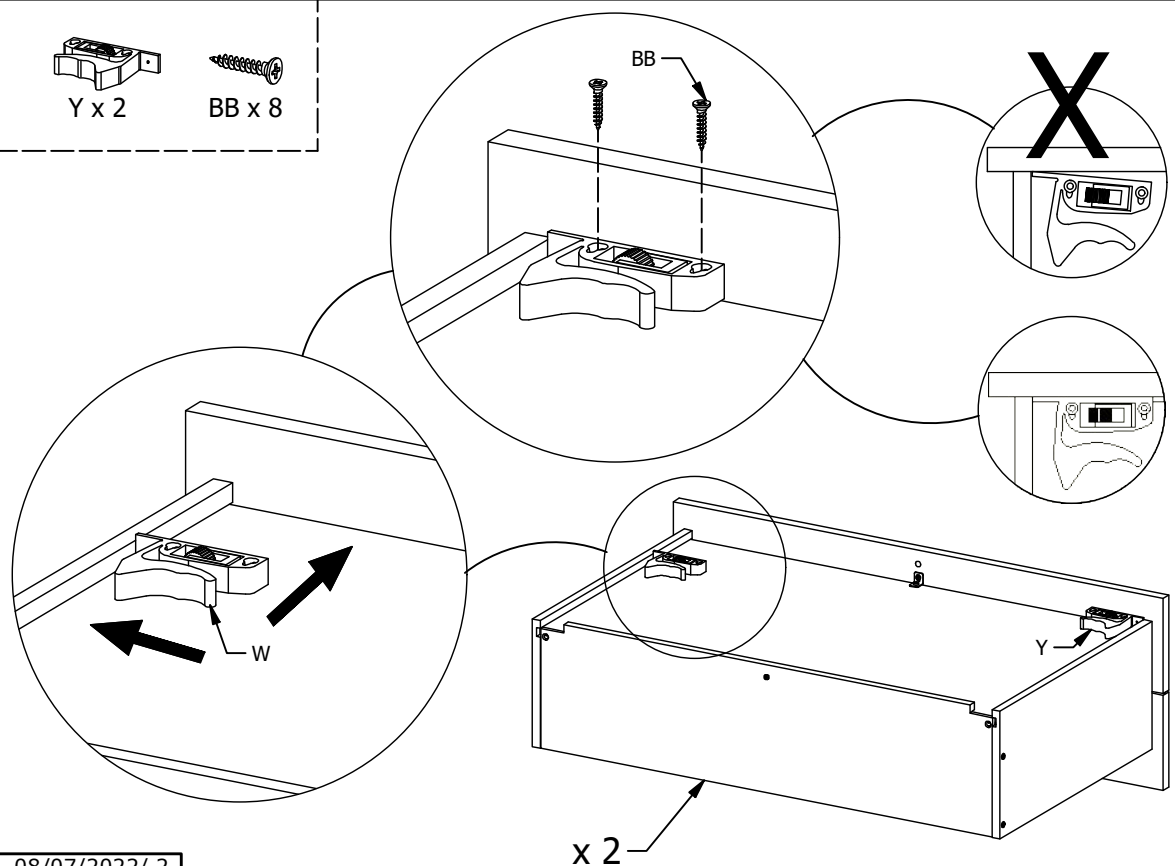


FIG. 16

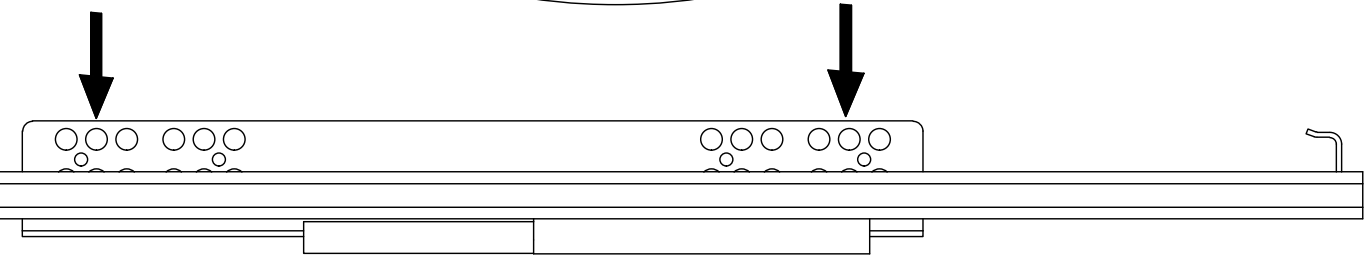
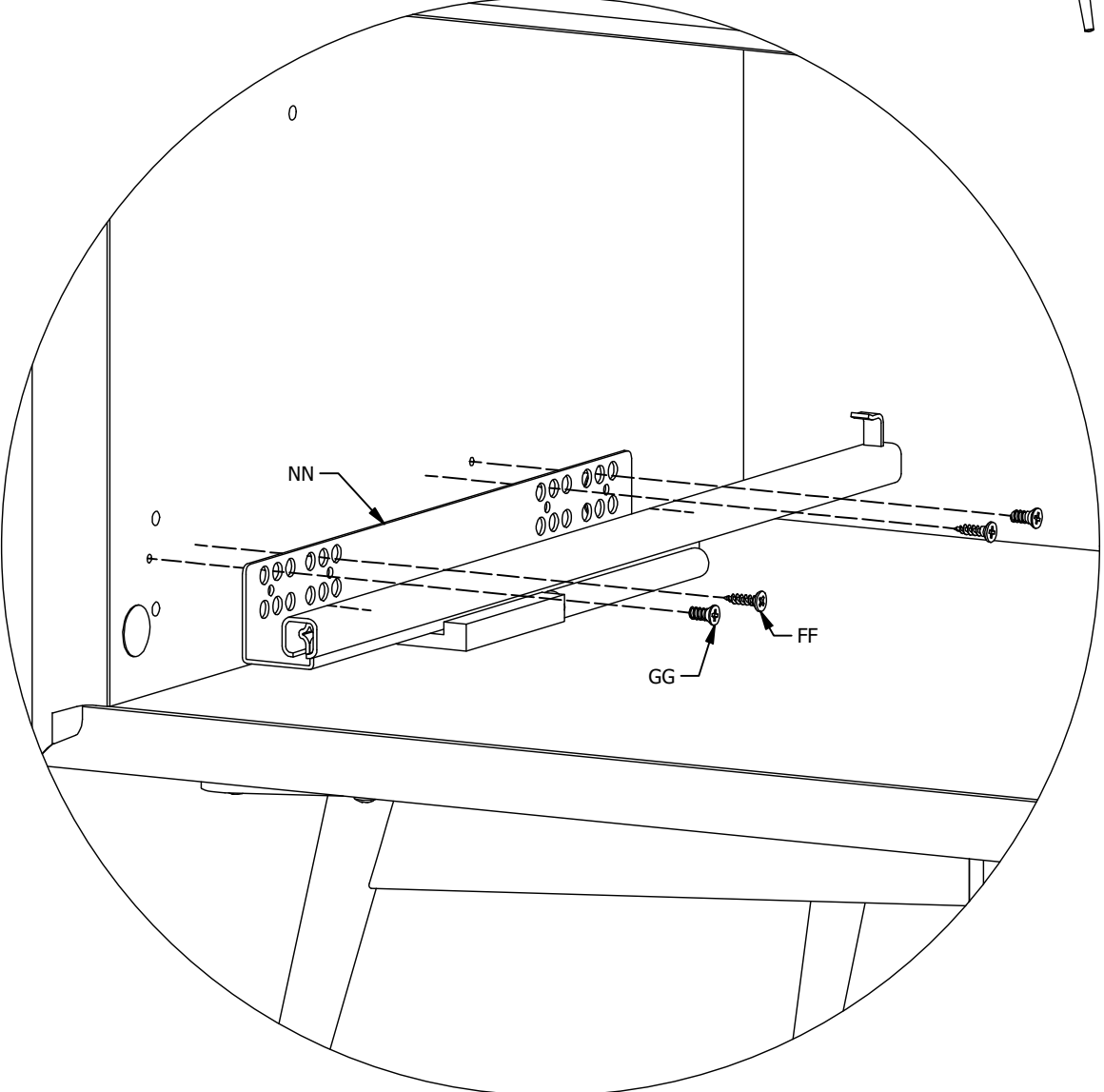
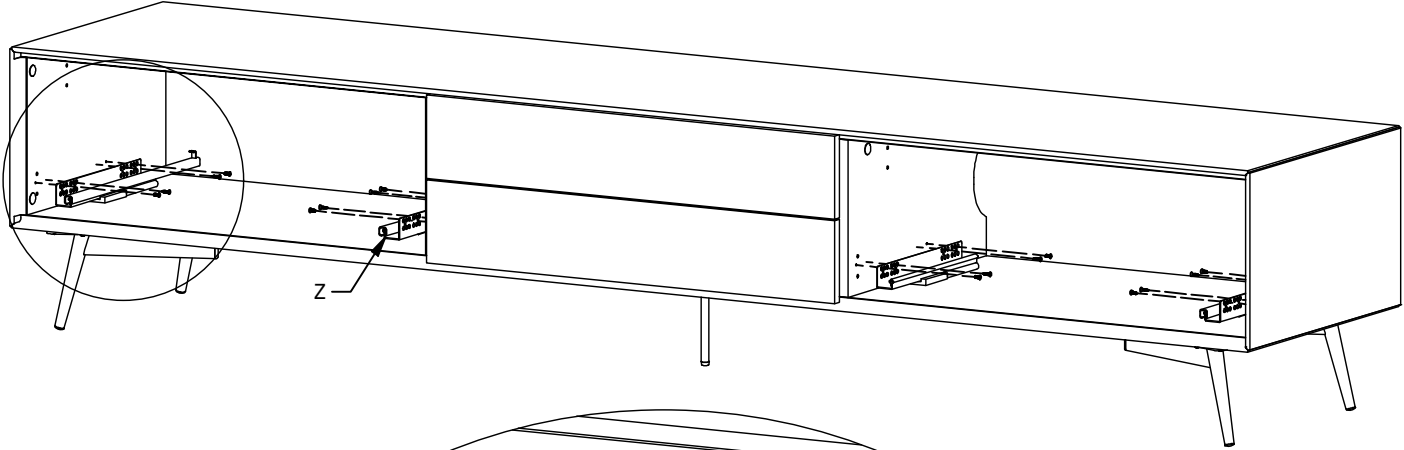
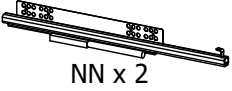
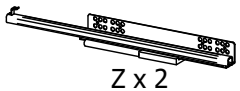


FIG. 17

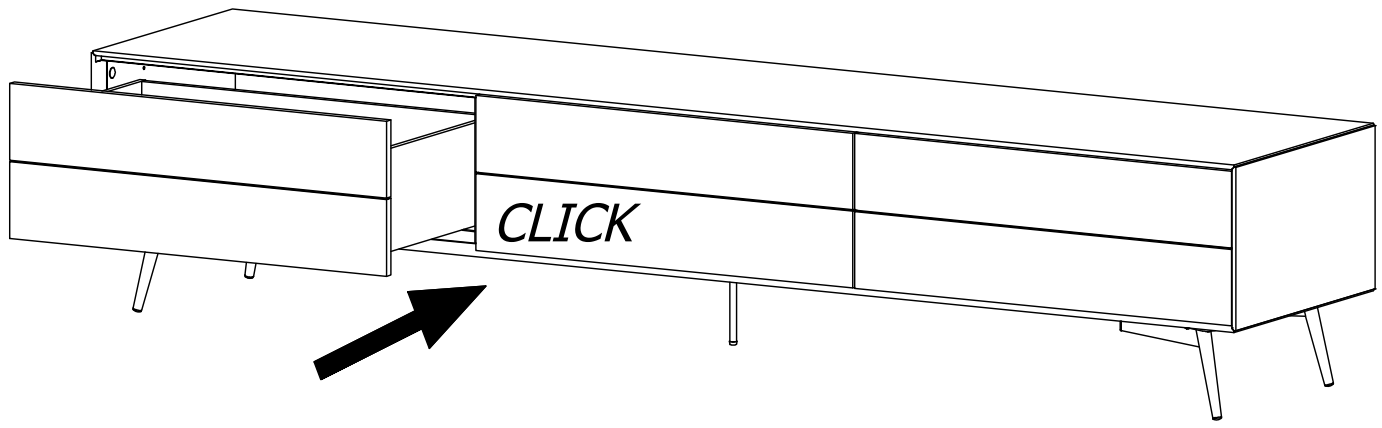


FIG. 18

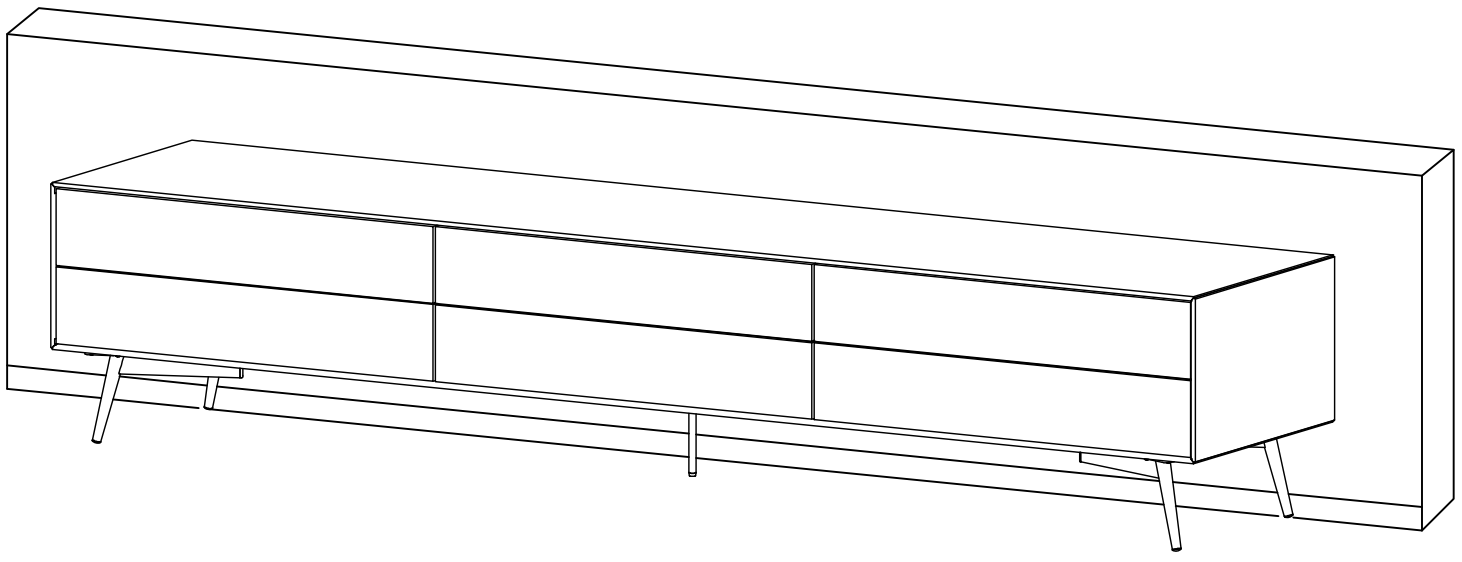
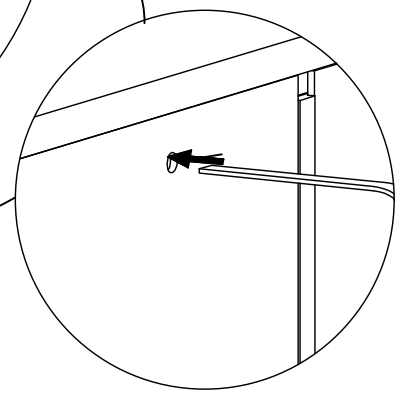
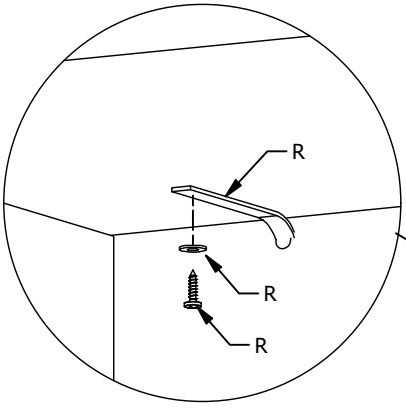
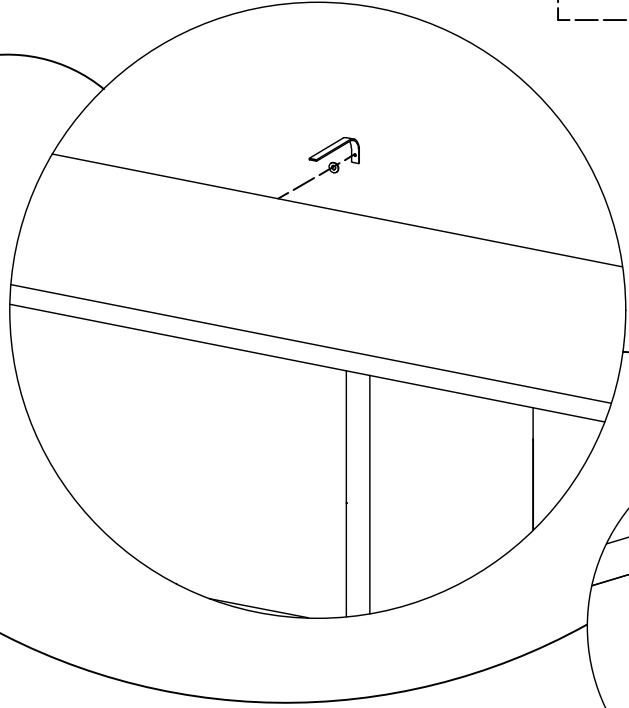
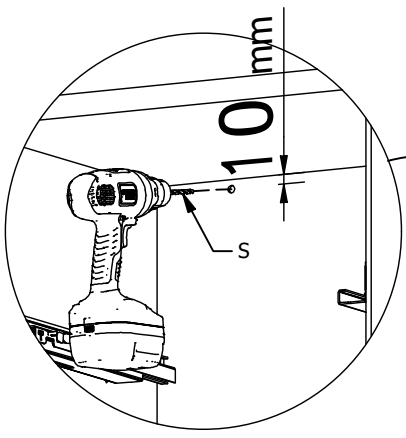
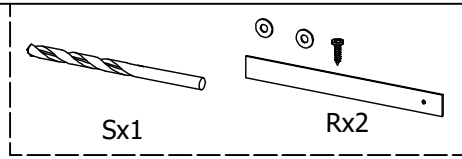
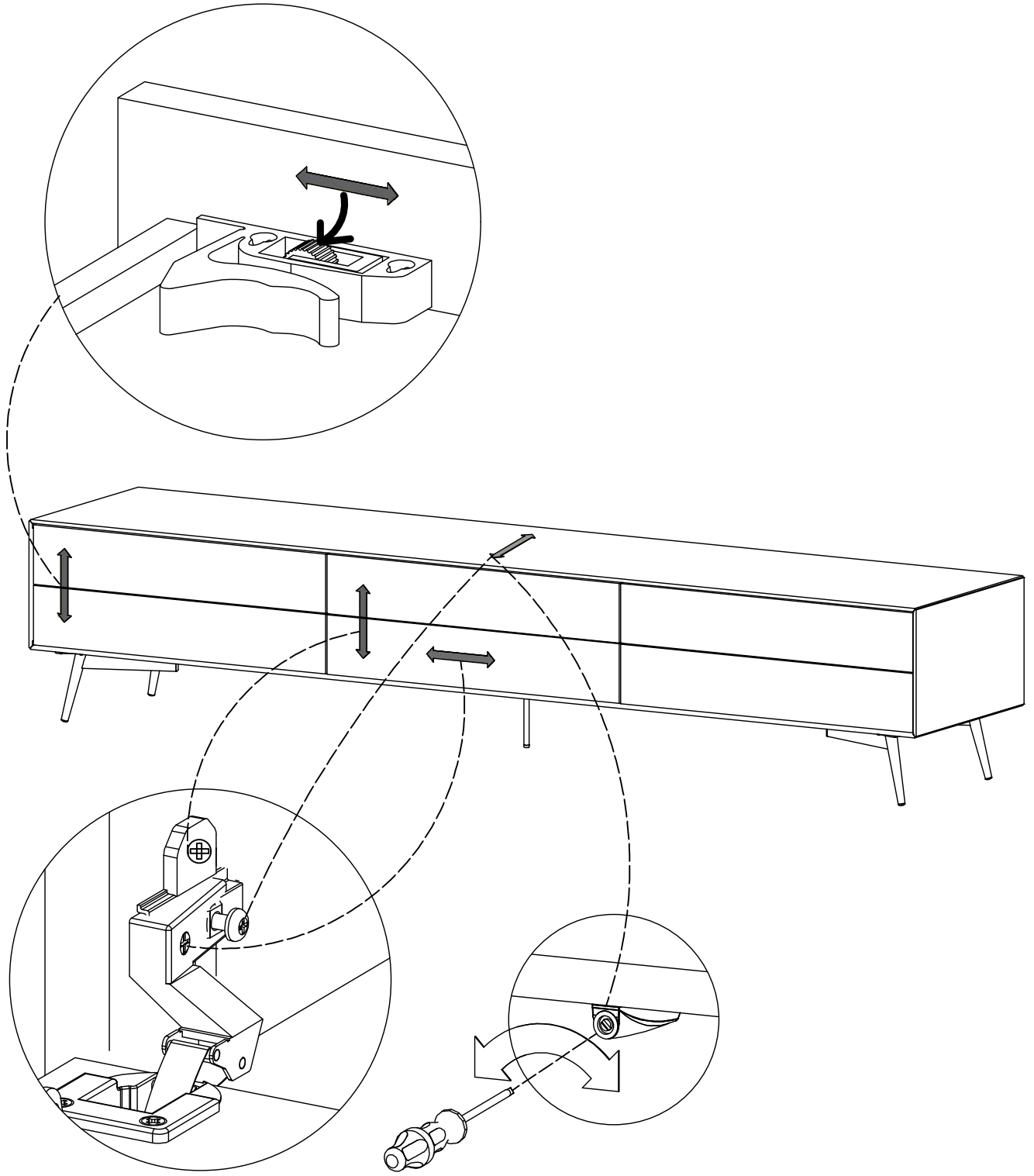


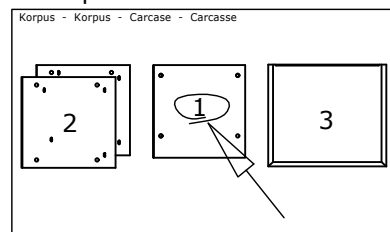
FIG. 19







Justering - Justierung - Adjusting - Réglage - Bijstelling - Ajuste - Regolazione - Afinação



- DK Ved reklamation oplyses følgende:
- D Im Reklamationsfall, bitte folgendes erläutern:
- US In case of claims, please state the following:
- F En cas de réclamation, veuillez indiquer:
- NL Bij service volgene mededelen
- E En caso de reclamación, indicar lo siguiente:
- P No caso de reclamação, por favor indique o seguinte:
- JP お気づきの点等ございましたら、以下の点をお知らせください。

Example!



Beslag - Fittings - Beschläge - Set de Montage		
 A X 8 1972000014	 B X 12 1972000004	 C X 4 1979110830
 D X 2 1970120000	 H X 2 1978504022	 J X 8 1978204210